



# Residential Electric Water Heaters

Featuring a variety of models designed for installations in cottages, offices, mobile homes or other applications where space is limited, the Space Saver® line of residential electric water heaters provides optimum reliability, performance and energy efficiency.

## DESIGNED FOR PERFORMANCE

- Exclusive TankSaver® design
- Glass-lined tanks for longer life
- Meets latest energy efficiency standards
- Factory-installed plastic-lined nipples
- Patented Styropour® base for added energy efficiency
- Thermostatically controlled long life elements
- CFC-free foam insulation
- Personnel protector covers elements and controls

## EASY TO INSTALL AND REPAIR

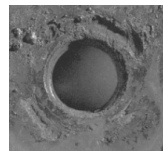
- Conveniently located T&P and drain valve
- Removable anodes

## WARRANTY

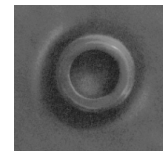
- 6 year limited tank warranty
- 1 year limited parts warranty

## EXCLUSIVE DESIGN

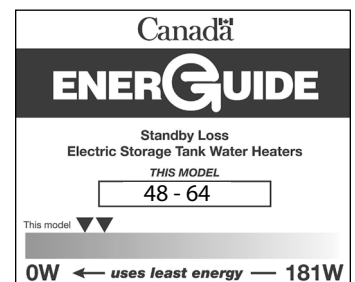
- The exclusive TankSaver design aids the glass lining process to ensure optimum coverage, and guards tank openings for watertight connections



Without TankSaver



With TankSaver





# Residential Electric Water Heaters

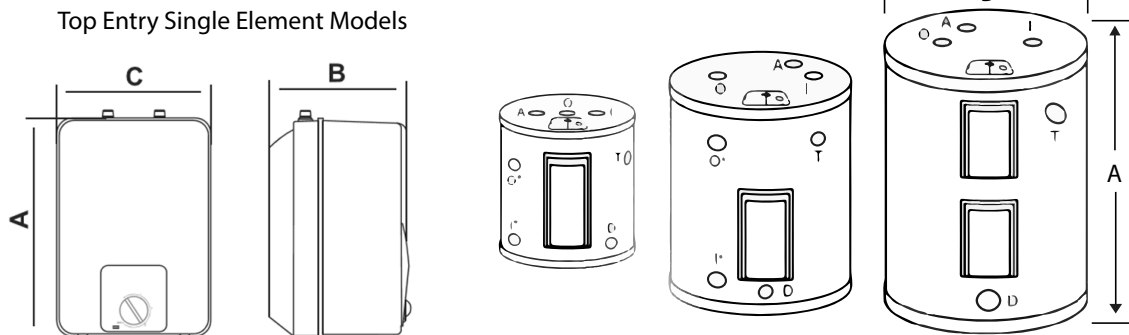
| SPECIFICATIONS                                |        |          |     |     |        |       |  |              |           |           |           |          |                 |                    |
|---|--------|----------|-----|-----|--------|-------|--|--------------|-----------|-----------|-----------|----------|-----------------|--------------------|
| Model   | Series | Capacity |     |     | Input  |       | Recovery Rate at 90°F Temperature Rise | Standby Loss | Height    | Diameter* |           | Width    | Shipping Weight | BC/ON/QC Compliant |
|   |        | IG       | USG | L   | WATTS  | VOLTS |  |              |           | GPH (LPH) | WATTS     |          |                 |                    |
| <b>TOP ENTRY SINGLE ELEMENT MODELS</b>        |        |          |     |     |        |       |  |              |           |           |           |          |                 |                    |
| SS025SE15                                     | 100    | 2        | 2.5 | 9   | 1440   | 120** | 7 (26)                                 | N/A          | 14 ½ (37) | 10 ¾ (26) | 11 ¾ (30) | 17 (8)   | √               |                    |
| SS04SE15                                      | 100    | 3        | 4   | 15  | 1440   | 120** | 7 (26)                                 | N/A          | 19 ¼ (49) | 10 ¾ (26) | 11 ¾ (30) | 20 (9)   | √               |                    |
| <b>BOTTOM ENTRY SINGLE ELEMENT MODELS</b>     |        |          |     |     |        |       |  |              |           |           |           |          |                 |                    |
| SS06SEB15                                     | N/A    | 5        | 6   | 23  | 1500   | 120   | 7 (26)                                 | N/A          | 15 ¼ (39) | 14 ¼ (36) | N/A       | 35 (16)  | √               |                    |
| SS06SEB30                                     | N/A    | 5        | 6   | 23  | 3000+  | 240   | 14 (53)                                | N/A          | 15 ¼ (39) | 14 ¼ (36) | N/A       | 35 (16)  | √               |                    |
| SS12SEB15                                     | N/A    | 9        | 12  | 43  | 1500   | 120   | 7 (26)                                 | N/A          | 22 ¾ (58) | 16 (41)   | N/A       | 55 (25)  | √               |                    |
| SS12SEB30                                     | N/A    | 9        | 12  | 43  | 3000+  | 240   | 14 (53)                                | N/A          | 22 ¾ (58) | 16 (41)   | N/A       | 55 (25)  | √               |                    |
| SS620SSEB-15K                                 | 100    | 14       | 19  | 65  | 1500   | 120   | 7 (26)                                 | 51           | 25 ½ (65) | 20 (51)   | N/A       | 65 (30)  | √               |                    |
| SS620SSEB-30                                  | 100    | 14       | 19  | 65  | 3000+  | 240   | 14 (53)                                | 51           | 25 ½ (65) | 20 (51)   | N/A       | 65 (30)  | √               |                    |
| SS630SSEBN-15K                                | 100    | 22       | 30  | 108 | 1500   | 120   | 7 (26)                                 | 48           | 30 (76)   | 22 (56)   | N/A       | 101 (46) | √               |                    |
| SS630SSEBN-30                                 | 100    | 22       | 30  | 108 | 3000+  | 240   | 14 (53)                                | 48           | 30 (76)   | 22 (56)   | N/A       | 101 (46) | √               |                    |
| <b>TOP ENTRY DOUBLE ELEMENT MODELS</b>        |        |          |     |     |        |       |  |              |           |           |           |          |                 |                    |
| SS640SDE3-15K                                 | 100    | 30       | 40  | 143 | 1500   | 120   | 7 (26)                                 | 54           | 50 (127)  | 20 (51)   | N/A       | 103 (47) | √               |                    |
| SS640SDE3-30X                                 | 100    | 30       | 40  | 143 | 3000   | 208   | 14 (53)                                | 54           | 50 (127)  | 20 (51)   | N/A       | 103 (47) | √               |                    |
| SS640SDE3-30                                  | 100    | 30       | 40  | 143 | 3000+  | 240   | 14 (53)                                | 54           | 50 (127)  | 20 (51)   | N/A       | 103 (47) | √               |                    |
| <b>LOWBOY TOP ENTRY DOUBLE ELEMENT MODELS</b> |        |          |     |     |        |       |  |              |           |           |           |          |                 |                    |
| SS630LDE-45X                                  | 250    | 22       | 30  | 108 | 4500** | 208   | 20 (76)                                | 53           | 31 (79)   | 22 (56)   | N/A       | 96 (44)  | ON/QC only      |                    |
| SS630LDE-45                                   | 250    | 22       | 30  | 108 | 4500** | 240   | 20 (76)                                | 53           | 31 (79)   | 22 (56)   | N/A       | 96 (44)  | ON/QC only      |                    |
| SS640LDE-45X                                  | 250    | 30       | 40  | 143 | 4500** | 208   | 20 (76)                                | 62           | 33 ½ (85) | 24 (61)   | N/A       | 113 (51) | ON/QC only      |                    |
| SS640LDE-45                                   | 250    | 30       | 40  | 143 | 4500** | 240   | 20 (76)                                | 62           | 33 ½ (85) | 24 (61)   | N/A       | 113 (51) | ON/QC only      |                    |
| SS650LDEN-45                                  | 280    | 40       | 50  | 181 | 4500   | 240   | 20 (76)                                | 64           | 37 ¾ (96) | 26 ½ (67) | N/A       | 170 (77) | -               |                    |

\*Depth on model SS025SE15 and SS04SE15.

\*\*Plug-in model.

\*Model is dual-rated. At 208V wattage is 2253.

\*\*Model is dual-rated. At 208V wattage is 3380.



\*\*\*Note: 6, 12 and 19 USG models have side connections on left side.