

The John Wood® ENERGY STAR® Power Vent water heaters have been engineered to provide industry-leading energy efficiency and deliver dependable, trouble-free operation. The extensive line-up offers a full range of sizes and outputs for small or large residential demands.

## Features

### Energy Savings

- Industry-leading energy efficient power vent, with up to a 0.70 EF
- ENERGY STAR® qualified models (except 60 and 75 gallon models)
- 2" CFC-free foam insulation to improve energy efficiency
- Built-in heat traps on the water inlet and outlet reduce the amount of heat lost through piping
- Exceeds NRCan energy efficiency standards

### Designed for Performance

- Ideal as a replacement water heater in a variety of installation applications due to 3-position rotatable blower
- Exclusive TankSaver® design to prolong tank life
- Convenient 3/4" side taps for combination applications on 50 USG high-input and 75 USG models
- Suitable for elevations up to 10,100 ft. (3,078 m)
- Available for both natural gas or propane
- Glass lined tank provides superior protection against corrosion

### Safety Features

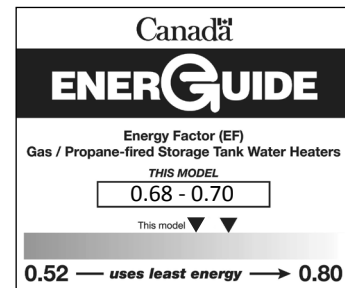
- Sensor detects the presence of flammable vapours and automatically disables the unit, preventing their ignition
- Robust air intake snorkel inhibits flammable vapours from entering the combustion chamber

### Serviceability

- State-of-the-art electronic gas control features advanced self-diagnostic capability that makes troubleshooting easy
- Conveniently located T&P and drain valve for ease of installation and serviceability

### The Ultimate in Venting Flexibility

- Can be vented with 2", 3" or 4" ULC S636 PVC, CPVC or polypropylene pipe
- Vertical or horizontal venting configurations



## WARRANTY

8 Year Limited Tank Warranty

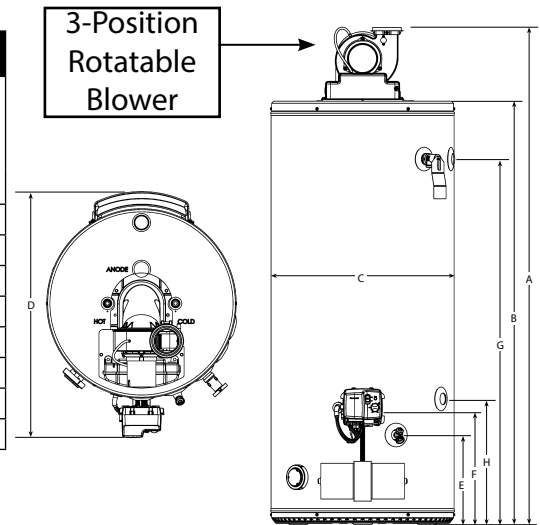
6 Year Limited Parts Warranty

Consult installation manual for terms and conditions or visit [www.johnwoodwaterheaters.com](http://www.johnwoodwaterheaters.com) for more information.

### PERFORMANCE

| Model              | Series  | Capacity | Input  | Maximum Certified Altitude | Recovery Rate at 90°F Temperature Rise | First Hour Rating | Energy Factor | BC/ON Compliant |
|--------------------|---------|----------|--------|----------------------------|--|-------------------|---------------|-----------------|
|                    |         | USG (L)  | BTU/h  | FT (M)                     | GPH (LPH)                              | GPH (LPH)         |               |                 |
| <b>NATURAL GAS</b> |         |          |        |                            |  |                   |               |                 |
| JW840S40N-PV-ES2   | 200/201 | 40 (151) | 40,000 | 10,100 (3,078)             | 44 (167)                               | 73 (276)          | 0.70          | ✓               |
| JW840T50N-PV-ES2   | 200/201 | 40 (151) | 50,000 | 10,100 (3,078)             | 50 (189)                               | 90 (341)          | 0.70          | ✓               |
| JW850S40N-PV-ES2   | 200/201 | 50 (189) | 40,000 | 10,100 (3,078)             | 44 (167)                               | 90 (341)          | 0.70          | ✓               |
| JW850T50N-PV-ES2   | 200/201 | 50 (189) | 50,000 | 10,100 (3,078)             | 50 (189)                               | 96 (363)          | 0.70          | ✓               |
| JW850S62N-PV-ES2   | 200/201 | 50 (189) | 62,000 | 10,100 (3,078)             | 69 (261)                               | 110 (416)         | 0.70          | ✓               |
| JW860S42N-PV-ES2   | 200/201 | 60 (227) | 42,000 | 10,100 (3,078)             | 46 (174)                               | 106 (401)         | 0.70          | ✓               |
| JW875T72N-PV-ES2   | N/A     | 75 (284) | 72,000 | 10,100 (3,078)             | 80 (303)                               | 155 (587)         | 0.68          | ✓               |

For propane models sub N with P. Natural gas models are series 200. Propane models are series 201.

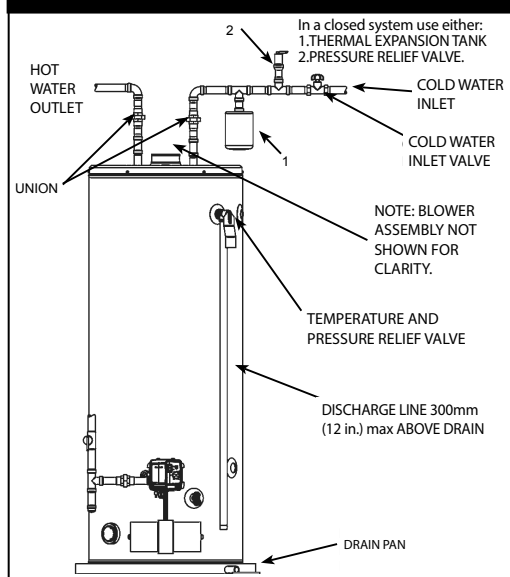


### DIMENSIONS & SHIPPING WEIGHT

| Model              | Installation Height | Height to Top of Tank | Tank Diameter | Overall Depth | Height to Drain Valve | Height to Gas Inlet | Height to T&P | Height to Upper Side Connection | Height to Lower Side Connection | Shipping Weight |
|--------------------|---------------------|-----------------------|---------------|---------------|-----------------------|---------------------|---------------|---------------------------------|---------------------------------|-----------------|
|                    | A IN (CM)           | B IN (CM)             | C IN (CM)     | D IN (CM)     | E IN (CM)             | F IN (CM)           | G IN (CM)     | G IN (CM)                       | H IN (CM)                       | LB (KG)         |
| <b>NATURAL GAS</b> |                     |                       |               |               |                       |                     |               |                                 |                                 |                 |
| JW840S40N-PV-ES2   | 59 (150)            | 49 5/8 (126)          | 22 (56)       | 29 1/8 (74)   | 11 (28)               | 13 1/4 (34)         | 42 1/2 (108)  | N/A                             | N/A                             | 174 (79)        |
| JW840T50N-PV-ES2   | 68 1/2 (174)        | 59 1/4 (150)          | 20 (51)       | 27 1/8 (69)   | 11 (28)               | 13 1/4 (34)         | 53 1/8 (135)  | N/A                             | N/A                             | 176 (80)        |
| JW850S40N-PV-ES2   | 60 1/8 (153)        | 50 3/4 (129)          | 24 (61)       | 31 1/8 (79)   | 11 (28)               | 13 1/4 (34)         | 43 3/4 (111)  | N/A                             | N/A                             | 198 (90)        |
| JW850T50N-PV-ES2   | 68 1/8 (173)        | 58 3/4 (149)          | 22 (56)       | 29 1/8 (74)   | 11 (28)               | 13 1/4 (34)         | 51 3/4 (131)  | N/A                             | N/A                             | 192 (87)        |
| JW850S62N-PV-ES2*  | 61 1/8 (155)        | 52 (132)              | 24 (61)       | 31 1/8 (79)   | 11 (28)               | 13 1/4 (34)         | 44 1/2 (113)  | 44 1/2 (113)                    | 15 1/4 (39)                     | 212 (96)        |
| JW860S42N-PV-ES2   | 67 1/4 (171)        | 57 7/8 (147)          | 24 (61)       | 31 1/8 (79)   | 11 (28)               | 13 1/4 (34)         | 50 3/8 (128)  | N/A                             | N/A                             | 216 (98)        |
| JW875T72N-PV-ES2*  | 70 3/8 (179)        | 61 1/4 (156)          | 26 (66)       | 33 1/8 (84)   | 11 (28)               | 13 1/4 (34)         | 53 (135)      | 53 (135)                        | 15 1/4 (39)                     | 277 (126)       |

\* Model has side connections

### PREFERRED INSTALLATION



### VENT PIPE LENGTHS

| Model             | Vent Pipe Diameter IN | Minimum Number of Elbows Required* | Maximum Vent Length with one 90° Elbow FT (M) | Minimum Vent Length with one 90° Elbow FT (M) |
|-------------------|-----------------------|------------------------------------|---|---|
| JW840S40N-PV-ES2  | 2                     | 0                                  | 50 (15.2)                                     | 7 (2.1)                                       |
| JW840T50N-PV-ES2  |                       |                                    |   |   |
| JW850S40N-PV-ES2  | 3                     | 0                                  | 125 (38.1)                                    | 50 (15.2)                                     |
| JW850T50N-PV-ES2  |                       |                                    |   |   |
| JW860S42N-PV-ES2  | 4                     | 0                                  | 180 (54.9)                                    | 125 (38.1)                                    |
| JW850S62N-PV-ES2  | 3                     | 0                                  | 50 (15.2)                                     | 7 (2.1)                                       |
| JW875T72N-PV-ES2* |                       |                                    |   |   |
|                   | 4                     | 0                                  | 125 (38.1)                                    | 50 (15.2)                                     |

\* Refer to installation manual for further details.

### VENT KITS

| Description  | Part Number |
|--|-------------|
| 3" Vent Kit<br>Includes coupling for blower outlet and termination screens | 9008311005  |
| 4" Vent Termination Kit<br>Includes termination screens                    | 9008310015  |

For Technical Information/Warranty:  
 Call 1-888-479-8324 or email [techsupport@johnwoodwaterheaters.com](mailto:techsupport@johnwoodwaterheaters.com)  
[www.johnwoodwaterheaters.com](http://www.johnwoodwaterheaters.com)