

John Wood® atmospheric vent natural gas and propane commercial water heaters handle a wide range of applications that require inputs from 120,000 BTU to 500,000 BTU. With Intermittent Electronic Ignition, these units save energy by eliminating the standing pilot, and the high pressure water jets reduce sediment at the bottom of the tank prolonging tank life.

Features

Energy Savings

- Meets or exceeds ASHRAE 90.1 1999 energy efficiency standard, meets or exceeds 80% thermal efficiency

Designed for Performance

- Self cleaning water jets
 - Reduces the build up of sediment at the bottom of the tank prolonging tank life
- Low-profile vent damper for energy efficiency and installation in tight spaces
- Intermittent Electronic Ignition
 - Eliminates standing pilot, saves energy, and provides flame failure response very quickly
- Glass-lined tank with multiple anodes
 - Provides protection against corrosion extending tank life
- Factory-installed T&P and brass drain valve
- Maximum hydrostatic working pressure of 160 psi
- ASME and high-altitude models available

Serviceability

- Conveniently located hand hole cleanout
- Inlet and outlet ports at the top, front and back



ASME
(optional)

WARRANTY

3* Year Limited Tank Warranty
1 Year Limited Parts Warranty

Consult installation manual for terms and conditions or visit www.johnwoodwaterheaters.com for more information.

*Extended 2 Year Warranty Available - please contact us for more details.

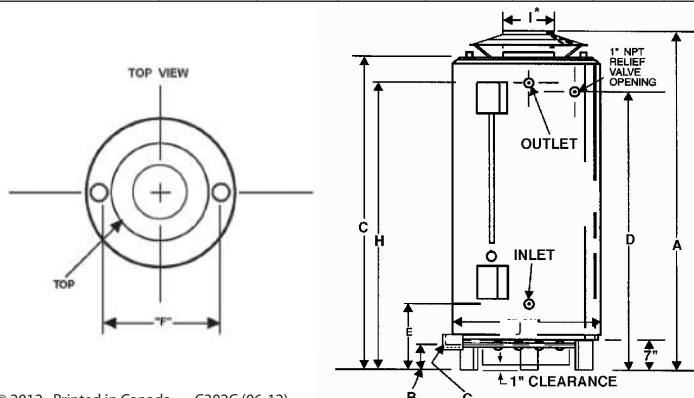
PERFORMANCE AND RECOVERY RATE GPH/LPH

Model*	Input Rate	Tank Capacity	Thermal Efficiency	Recovery Rate											
				GPH (LPH)											
	BTU/hr (kW/hr)	USG (L)	30°F (17°C)	40°F (22°C)	50°F (28°C)	60°F (33°C)	70°F (39°C)	80°F (45°C)	90°F (50°C)	100°F (56°C)	110°F (61°C)	120°F (67°C)	130°F (72°C)	140°F (78°C)	
JWSM-71-120	120,000 (35)	71 (268)	80%	388 (1469)	291 (1102)	233 (882)	194 (734)	166 (628)	145 (549)	129 (488)	116 (439)	106 (401)	97 (367)	90 (341)	83 (314)
JWSM-81-154	154,000 (45)	81 (307)	80%	498 (1885)	373 (1412)	299 (1132)	294 (943)	213 (806)	187 (708)	166 (628)	149 (564)	136 (515)	124 (469)	115 (435)	107 (405)
JWSM-95-199	199,000 (58)	95 (360)	80%	643 (2434)	482 (1825)	386 (1461)	322 (1219)	276 (1045)	241 (921)	214 (810)	193 (731)	175 (662)	161 (609)	148 (560)	132 (500)
JWSM-76-199	199,000 (58)	76 (288)	80%	614 (2324)	461 (1745)	368 (1393)	307 (1162)	263 (996)	230 (871)	205 (776)	184 (697)	167 (632)	154 (583)	142 (538)	132 (500)
AJWSM-100-199	199,000 (58)	100 (379)	80%	643 (2434)	482 (1825)	386 (1461)	322 (1219)	276 (1045)	241 (921)	214 (810)	193 (731)	175 (662)	161 (609)	148 (560)	132 (500)
(A)JWSM-65-251	251,000 (73)	65 (246)	80%	811 (3071)	608 (2303)	487 (1843)	406 (1536)	348 (1316)	304 (1152)	270 (1024)	243 (921)	221 (838)	203 (768)	187 (709)	174 (658)
AJWSM-100-275	275,000 (80)	100 (379)	80%	899 (3365)	667 (2524)	533 (2019)	444 (1682)	381 (1442)	333 (1262)	296 (1122)	267 (1009)	242 (918)	222 (841)	205 (776)	190 (721)
(A)JWSM-65-305	305,000 (89)	65 (246)	80%	986 (3732)	739 (2799)	592 (2239)	493 (1866)	423 (1599)	370 (1399)	329 (1244)	296 (1120)	269 (1018)	246 (933)	228 (861)	211 (800)
(A)JWSM-65-365	365,000 (107)	65 (246)	80%	1164 (4405)	873 (3304)	698 (2643)	582 (2202)	499 (1888)	436 (1652)	388 (1468)	349 (1321)	317 (1201)	291 (1101)	269 (1016)	249 (944)
AJWSM-100-390	390,000 (114)	100 (379)	80%	1293 (4894)	970 (3671)	776 (2936)	646 (2447)	554 (2097)	485 (1835)	431 (1631)	388 (1468)	353 (1335)	323 (1224)	298 (1129)	277 (1049)
AJWSM-85-500	500,000 (147)	85 (322)	80%	1616 (6118)	1212 (4588)	970 (3671)	808 (3059)	693 (2622)	606 (2294)	539 (2039)	485 (1835)	441 (1668)	404 (1529)	373 (1412)	346 (1331)

*Note: For Natural Gas add "N", for Propane add "P" to end of model numbers. For High Altitude (2,000-4,500 ft.), add "H" to end of model numbers. (Example: For model JWSM-76-199 in Natural Gas, High Altitude = JWSM-76-199NH.)

DIMENSIONS & SHIPPING WEIGHT

Model	Installation Height	Height to Gas Inlet	Height to Top of Tank	Height to T&P	Height to Front Inlet	Distance Between Top Inlet/Outlet	Gas Valve Diam.	Height to Front Outlet	Draft Hood Connection Diam.	Tank Diameter	Water Connections (NPT)						Approx. Shipping Weight	
											Inlet			Outlet			STD. lb (kg)	ASME lb (kg)
	A in (cm)	B in (cm)	C in (cm)	D in (cm)	E in (cm)	F in (cm)	G in	H in (cm)	I in (cm)	J in (cm)	Top in	Front in	Back in	Top in	Front in	Back in		
JWSM-71-120	69 3/4 (177)	4 1/4 (11)	59 1/2 (151)	50 3/4 (129)	19 3/4 (50)	19 (48)	1/2	51 3/4 (132)	5 (13)	27 3/4 (71)	1 1/2	1 1/2	1 1/2	1 1/2	1 1/2	1 1/2	400 (182)	N/A
JWSM-81-154	73 (185)	4 1/4 (11)	66 1/2 (169)	57 3/4 (147)	19 3/4 (50)	19 (48)	1/2	59 (150)	6 (15)	27 3/4 (71)	1 1/2	1 1/2	1 1/2	1 1/2	1 1/2	1 1/2	470 (213)	N/A
JWSM-95-199	75 (192)	4 1/2 (12)	70 (178)	61 3/8 (157)	20 1/2 (52)	21 (53)	1/2	62 3/8 (159)	6 (15)	27 3/4 (71)	1 1/2	1 1/2	1 1/2	1 1/2	1 1/2	1 1/2	603 (273)	N/A
JWSM-76-199	67 1/2 (171)	4 1/2 (12)	62 (157)	53 3/8 (136)	20 1/2 (52)	21 (53)	1/2	54 3/8 (139)	6 (15)	27 3/4 (71)	1 1/2	1 1/2	1 1/2	1 1/2	1 1/2	1 1/2	470 (213)	N/A
AJWSM-100-199	72 (183)	4 1/2 (12)	65 3/8 (165)	55 3/8 (142)	19 3/4 (50)	23 (58)	1/2	56 3/8 (143)	6 (15)	30 1/4 (77)	1 1/2	2	2	1 1/2	2	2	N/A	725 (329)
(A)JWSM-65-251	75 (191)	4 1/2 (12)	65 3/4 (167)	57 1/4 (145)	20 (51)	N/A	1/2	58 3/4 (149)	8 (20)	27 3/4 (71)	N/A	1 1/2	1 1/2	N/A	1 1/2	1 1/2	750 (341)	862 (391)
AJWSM-100-275	72 (183)	4 1/2 (12)	65 3/8 (165)	55 3/8 (142)	19 3/4 (50)	23 (58)	1/2	56 3/8 (143)	8 (20)	30 1/4 (77)	1 1/2	2	2	1 1/2	2	2	N/A	725 (329)
(A)JWSM-65-305	75 (191)	4 1/2 (12)	65 3/4 (167)	57 1/4 (145)	20 (51)	N/A	1/2	58 3/4 (149)	8 (20)	27 3/4 (71)	N/A	1 1/2	1 1/2	N/A	1 1/2	1 1/2	750 (341)	862 (391)
(A)JWSM-65-365	79 1/2 (202)	4 1/2 (12)	70 1/4 (178)	62 1/2 (159)	22 1/2 (57)	23 (68)	3/4	63 (160)	8 (20)	27 3/4 (71)	1 1/2	1 1/2	1 1/2	1 1/2	1 1/2	1 1/2	725 (329)	833 (379)
AJWSM-100-390	75 1/2 (192)	4 1/2 (12)	67 1/2 (171)	58 1/4 (148)	26 3/4 (68)	23 (58)	3/4	59 (150)	8 (20)	30 1/4 (77)	1 1/2	2	2	1 1/2	2	2	N/A	874 (396)
AJWSM-85-500	82 1/4 (209)	4 1/2 (12)	73 1/2 (187)	65 1/4 (166)	25 1/2 (65)	21 (53)	1	65 3/4 (167)	8 (20)	27 3/4 (71)	1 1/2	1 1/2	1 1/2	1 1/2	1 1/2	1 1/2	N/A	857 (389)



POWER VENT KITS

Description	Part Number
For 120,000 - 199,000 BTU Models	197515-000
For 250,000 - 500,000 BTU Models	197515-001

Includes: power venter with draft proving switch, wall vent hood assembly, fan delay relay and connection cable to power damper.