

The exclusive TankSaver® design works to prolong tank life. TankSaver® impedes corrosion by guarding metal tank openings from exposure and keeping them watertight. The durable construction virtually eliminates rust.

Features

- Equipped with an adjustable thermostat, pre-wired and ready for connection to a circulator pump for accurate and automatic temperature control
- Factory-installed nipples for easy installation
- Galvanized steel bottom pan resists corrosion
- Glass-lined coil for efficient heat transfer
- Full 2" CFC-free foam insulation for energy efficiency
- Glass-lined inner tank and sacrificial magnesium anodes extend tank life
- Clean-out port for lime removal on 75 gallon models
- 3/4" NPT boiler connections



WARRANTY

5 Year Limited Tank Warranty*

1 Year Limited Parts Warranty

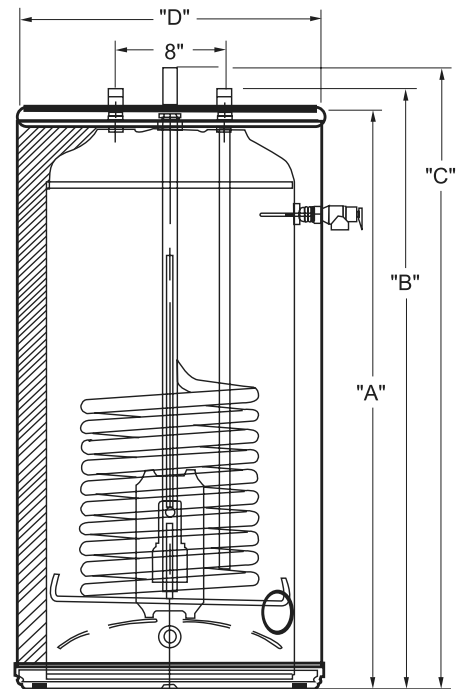
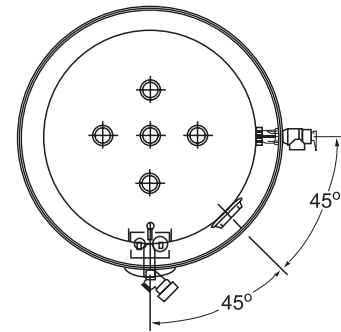
Consult installation manual for terms and conditions or visit www.johnwoodwaterheaters.com for more information.

*1 Year Limited Tank Warranty on Commercial Installations

PERFORMANCE

Model	Capacity	Boiler Output	First Hour Rating 90°F (50°C) Rise/hr	Continuous Flow	Coil Length
	USG (L)	BTU/hr	USG (L)	USG (L)	in (cm)
JW5-30IT/JW10-30IT	30 (110)	40,000	70 (265)	69 (261)	29 (74)
		60,000	98 (371)	104 (344)	
		80,000	125 (473)	139 (526)	
		100,000	152 (575)	173 (655)	
JW5-40IT/JW10-40IT	40 (150)	40,000	84 (318)	69 (261)	39 ½ (100)
		60,000	111 (420)	104 (394)	
		80,000	138 (522)	139 (526)	
		100,000	165 (625)	173 (655)	
JW5-75IT/JW10-75IT	75 (300)	40,000	120 (454)	70 (265)	47 ¼ (120)
		60,000	148 (560)	105 (397)	
		80,000	175 (662)	140 (530)	
		100,000	201 (761)	174 (659)	
		120,000*	229 (867)	209 (791)	

* When the boiler input exceeds 100,000 BTU/hr and if the unit has a factory supplied T&P valve, it must be replaced with one rated for that input.



DIMENSIONS & SHIPPING WEIGHT

Model	Height to Top of Tank	Height to Inlet/Outlet	Installation Height	Tank Diameter	Approximate Shipping Weight
	A in (cm)	B in (cm)	C in (cm)	D in (cm)	lb (kg)
JW5-30IT/JW10-30IT	32 (81)	34 (86)	35 (89)	22 (56)	130 (59)
JW5-40IT/JW10-40IT	42 ½ (108)	44 (112)	45 ½ (116)	22 (56)	160 (73)
JW5-75IT/JW10-75IT	53 (135)	54 (137)	56 (142)	26 (66)	270 (122)

PREFERRED INSTALLATION

