

The John Wood® ENERGY STAR® Power Vent water heaters have been engineered to provide industry-leading energy efficiency and deliver dependable, trouble-free operation. The extensive line-up offers a full range of sizes and outputs for small or large residential demands.

Features

Energy Savings

- Industry-leading energy efficient power vent, with a 0.70 EF* (*0.68 EF on 75 USG model)
- ENERGY STAR qualified models, including the only 75 USG available in the market
- 2" CFC-free foam insulation to improve energy efficiency
- Exceeds NRCan energy efficiency standards

Designed for Performance

- Ideal as a replacement water heater in a variety of installation applications due to 3-position rotatable blower
- Exclusive TankSaver® design to prolong tank life
- Convenient 3/4" side taps for combination applications on 50 USG high-input and 75 USG models
- Suitable for elevations up to 10,100 ft. (3,078 m)
- Available for both Natural Gas or Propane
- Glass lined tank provides superior protection against corrosion

Safety Features

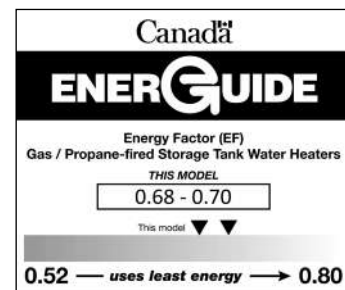
- Sensor detects the presence of flammable vapours and automatically disables the unit, preventing their ignition
- Robust air intake snorkel inhibits flammable vapours from entering the combustion chamber

Serviceability

- State-of-the-art electronic gas control features advanced self-diagnostic capability that makes troubleshooting easy
- Conveniently located T&P and drain valve for ease of installation and serviceability

The Ultimate in Venting Flexibility

- Can be vented with 2", 3" or 4" ULC s636 PVC or CPVC or polypropylene pipe
- Vertical or horizontal venting configurations



WARRANTY

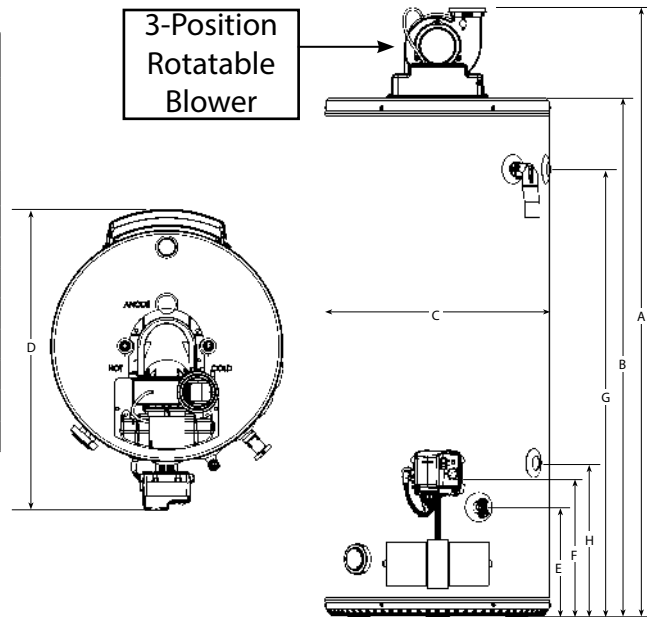
8 Year Limited Tank Warranty

6 Year Limited Parts Warranty

Consult installation manual for terms and conditions or visit www.johnwoodwaterheaters.com for more information.

PERFORMANCE

Model	Capacity	Maximum Certified Altitude	Input	Recovery Rate at 90°F Temperature Rise	First Hour Rating	Energy Factor	BC Compliant
	USG (L)	FT (M)	BTU/h	GPH (LPH)	USG (L)		
NATURAL GAS							
JW840S40N-PV-ES2	40 (151)	10,100 (3,078)	40,000	45 (170)	73 (276)	0.70	✓
JW840T50N-PV-ES2	40 (151)	10,100 (3,078)	50,000	56 (212)	90 (341)	0.70	✓
JW850S40N-PV-ES2	50 (189)	10,100 (3,078)	40,000	45 (170)	90 (341)	0.70	✓
JW850T50N-PV-ES2	50 (189)	10,100 (3,078)	50,000	56 (212)	96 (363)	0.70	✓
JW850S62N-PV-ES2*	50 (189)	10,100 (3,078)	62,000	69 (261)	110 (416)	0.70	✓
JW860S42N-PV-ES2	60 (227)	10,100 (3,078)	42,000	42 (159)	106 (401)	0.70	✓
JW875T72N-PV-ES2*	75 (284)	10,100 (3,078)	72,000	80 (303)	155 (587)	0.68	✓



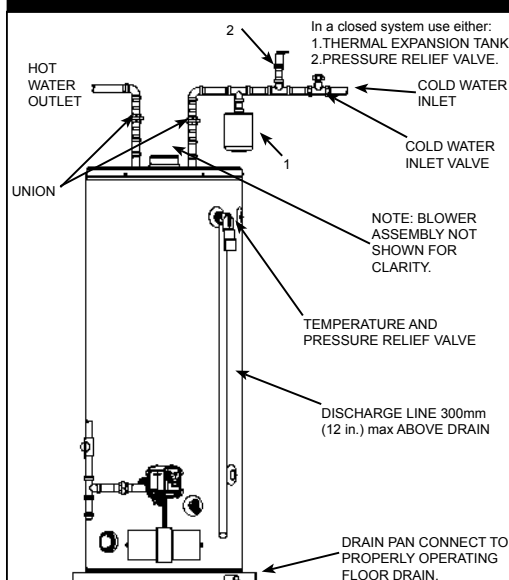
For Propane models sub N with P.

* Model has Side Connections

DIMENSIONS & SHIPPING WEIGHT

Model	Installation Height	Height to Top of Tank	Tank Diameter	Overall Depth	Height to Drain Valve	Height to Gas Inlet	Height to T&P and Upper Side Connection (where applicable)	Height to Lower Side Connection (where applicable)	Shipping Weight
	A IN (CM)	B IN (CM)	C IN (CM)	D IN (CM)	E IN (CM)	F IN (CM)	G IN (CM)	H IN (CM)	LBS (KG)
NATURAL GAS									
JW840S40N-PV-ES2	59 (150)	49 5/8 (126)	22 (56)	29 1/8 (74)	11 (28)	14 1/4 (36)	42 1/2 (108)	N/A	174 (79)
JW840T50N-PV-ES2	68 1/2 (174)	59 1/4 (150)	20 (51)	27 1/8 (69)	11 (28)	14 1/4 (36)	53 1/8 (135)	N/A	176 (80)
JW850S40N-PV-ES2	60 1/8 (153)	50 3/4 (129)	24 (61)	31 1/8 (79)	11 (28)	14 1/4 (36)	43 3/4 (111)	N/A	198 (90)
JW850T50N-PV-ES2	68 1/8 (173)	58 3/4 (149)	22 (56)	29 1/8 (74)	11 (28)	14 1/4 (36)	51 3/4 (131)	N/A	192 (87)
JW850S62N-PV-ES2*	61 1/8 (155)	52 (132)	24 (61)	31 1/8 (79)	11 (28)	14 1/4 (36)	44 1/2 (113)	15 1/4 (39)	212 (96)
JW860S42N-PV-ES2	67 1/4 (171)	57 7/8 (147)	24 (61)	31 1/8 (79)	11 (28)	14 1/4 (36)	50 3/8 (128)	N/A	216 (98)
JW875T72N-PV-ES2*	70 5/8 (179)	61 1/4 (156)	26 (66)	33 1/8 (84)	11 (28)	14 1/4 (36)	53 (135)	15 1/4 (39)	277 (126)

PREFERRED INSTALLATION



VENT PIPE LENGTHS

Model	Vent Pipe Diameter IN	Minimum Number of Elbows Required*	Maximum Vent Length with one 90° Elbow FT (M)	Minimum Vent Length with one 90° Elbow FT (M)
40S40	2	0	50 (15.2)	7 (2.1)
40T50				
50S40				
50T50	3	0	125 (38.1)	50 (15.2)
60S42				
50S62	4	0	180 (54.9)	125 (38.1)
75T72				

* Refer to installation manual for further details.

VENT KITS

Description	Part Number
3" Vent Kit Includes coupling for blower outlet and termination screens	9008311005
4" Vent Termination Kit Includes termination screens	9008310015

For Technical Information/Warranty:
Call 1-888-479-8324 or email techsupport@hotwater.com
www.johnwoodwaterheaters.com