

ProLine® XE Power Direct Vent

Features

Energy Savings

- Exceeds NRCan energy efficiency standards
- Factory installed heat trap nipples

Designed for Performance

- ProLine® XE models are residential water heaters with commercial-grade quality
- Compact design - ideal as a replacement water heater and for closet installations
- Exclusive TankSaver® design to prolong tank life
- Ultra-quiet blower
- Convenient 3/4" side water connections for combination applications on high input 50 USG and 75 USG units (plugs are factory installed)
- Factory installed T&P valve and drip tube
- Glass lining provides superior protection against tank corrosion

Safety Features

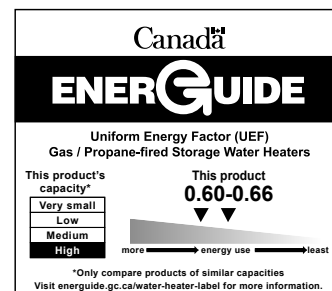
- Sealed combustion chamber design, eliminating the need for a flammable vapour sensor
- Zero clearance to combustibles

Serviceability

- State-of-the-art gas control features advanced self-diagnostic capability that makes troubleshooting easy
- Conveniently located T&P and drain valve for ease of serviceability
- Auto-reset temperature switch monitors vent temperature

The Ultimate in Venting Flexibility

- Can be vented with 2", 3" or 4" ULC S636 PVC, CPVC or polypropylene pipe up to 180 equivalent feet (see installation manual for full details)
- Can be installed using a concentric vent kit (see reverse or installation manual for details)



WARRANTY

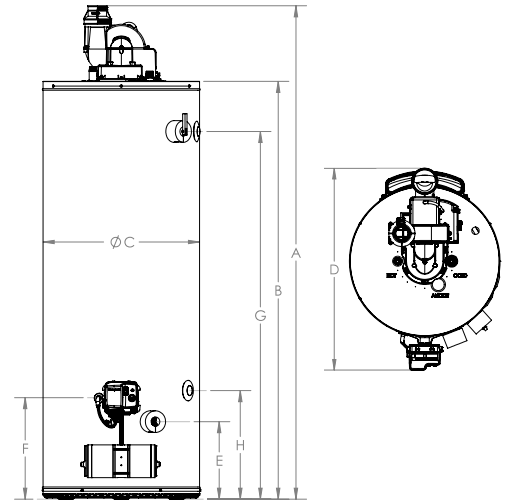
6 year limited tank and parts
 2 or 4 year tank warranty extension kits are available

PERFORMANCE

Model	Series	Capacity	Input	Recovery Rate at 90°F Temperature Rise	First Hour Rating	UEF	Warranty Tank/Parts
		USG (L)	BTU/h	GPH (LPH)	USG (L)		Years
NATURAL GAS							
PDV40N	300/301	40 (151)	40,000	45 (170)	71 (269)	0.68	6/6
PDV50N	300/301	50 (189)	45,000	50 (189)	93 (352)	0.72	6/6
PDV50HIN*	300/301	50 (189)	62,000	73 (276)	100 (379)	0.73	6/6
PDV75N*	300/301	75 (284)	72,000	82 (310)	154 (583)	0.68	6/6

For propane models sub N for P. Natural gas models are series 300. Propane models are series 301. All models rated for installation at altitudes up to 10,100 ft (3,078 m).

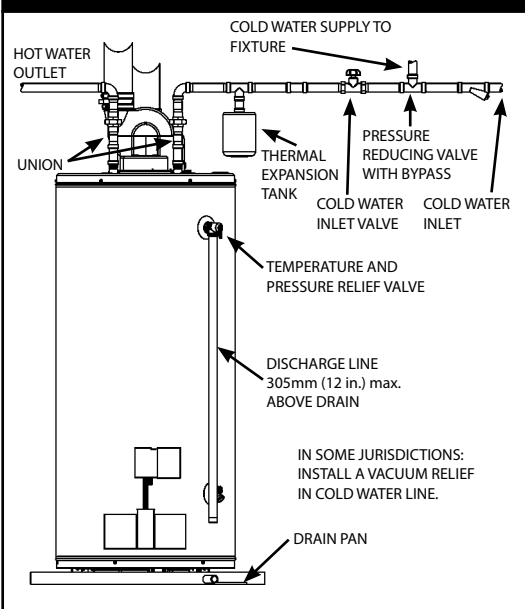
*Side connections.



DIMENSIONS & SHIPPING WEIGHT

Model	Installation Height	Height to Top of Tank	Tank Diameter	Overall Depth	Height to Drain Valve	Height to Gas Inlet	Height to T&P	Height to Upper Side Connection	Height to Lower Side Connection	Vent Diameter	Shipping Weight
	A IN (CM)	B IN (CM)	C IN (CM)	D IN (CM)	E IN (CM)	F IN (CM)	G IN (CM)	G IN (CM)	H IN (CM)	IN	LB (KG)
NATURAL GAS											
PDV40N	58 ¼ (148)	49 ½ (126)	22 (56)	29 ⅞ (76)	11 (28)	13 ¼ (34)	42 ⅜ (108)	N/A	N/A	2, 3 or 4	174 (79)
PDV50N	67 ½ (171)	58 ⅞ (150)	22 (56)	29 ⅞ (76)	11 (28)	13 ¼ (34)	51 ¾ (131)	N/A	N/A	2, 3 or 4	192 (87)
PDV50HIN	68 ⅞ (175)	60 ¼ (153)	22 (56)	29 ⅞ (76)	11 (28)	13 ¼ (34)	52 ¾ (134)	52 ¾ (134)	15 ¼ (39)	3 or 4	200 (91)
PDV75N	70 ⅞ (179)	60 ½ (154)	26 (66)	33 ⅞ (86)	11 (28)	13 ¼ (34)	53 (135)	53 (135)	15 ¼ (39)	3 or 4	277 (126)

PREFERRED INSTALLATION



For Technical Information/Warranty:
Call 1-888-479-8324 or
email techsupport@johnwoodwaterheaters.com
www.johnwoodwaterheaters.com

VENT PIPE LENGTHS

Model	Vent Pipe Diameter IN	Minimum Number of Elbows Required*	Minimum Vent Length with One Elbow FT (M)		Maximum Equivalent Vent Length FT (M)	
			Concentric	2 Pipe	Concentric	2 Pipe
PDV40N	2	1	7 (2)	7 (2)	50 (15)	50 (15)
	3	1	7 (2)	7 (2)	100 (30)	125 (38)
	4	1	N/A	50 (15)	N/A	180 (55)
PDV50N	2	1	7 (2)	7 (2)	50 (15)	50 (15)
	3	1	7 (2)	7 (2)	100 (30)	125 (38)
	4	1	N/A	50 (15)	N/A	180 (55)
PDV50HIN	3	1	7 (2)	7 (2)	45 (14)	50 (15)
	4	1	N/A	50 (15)	N/A	125 (38)
PDV75N	3	1	7 (2)	7 (2)	30 (9)	50 (15)
	4	1	N/A	50 (15)	N/A	125 (38)

* Refer to installation manual for further details.

OPTIONAL KITS

Description	Part Number
2" concentric vent kit	100112869
3" concentric vent kit	100111100
High ambient kit	100308923